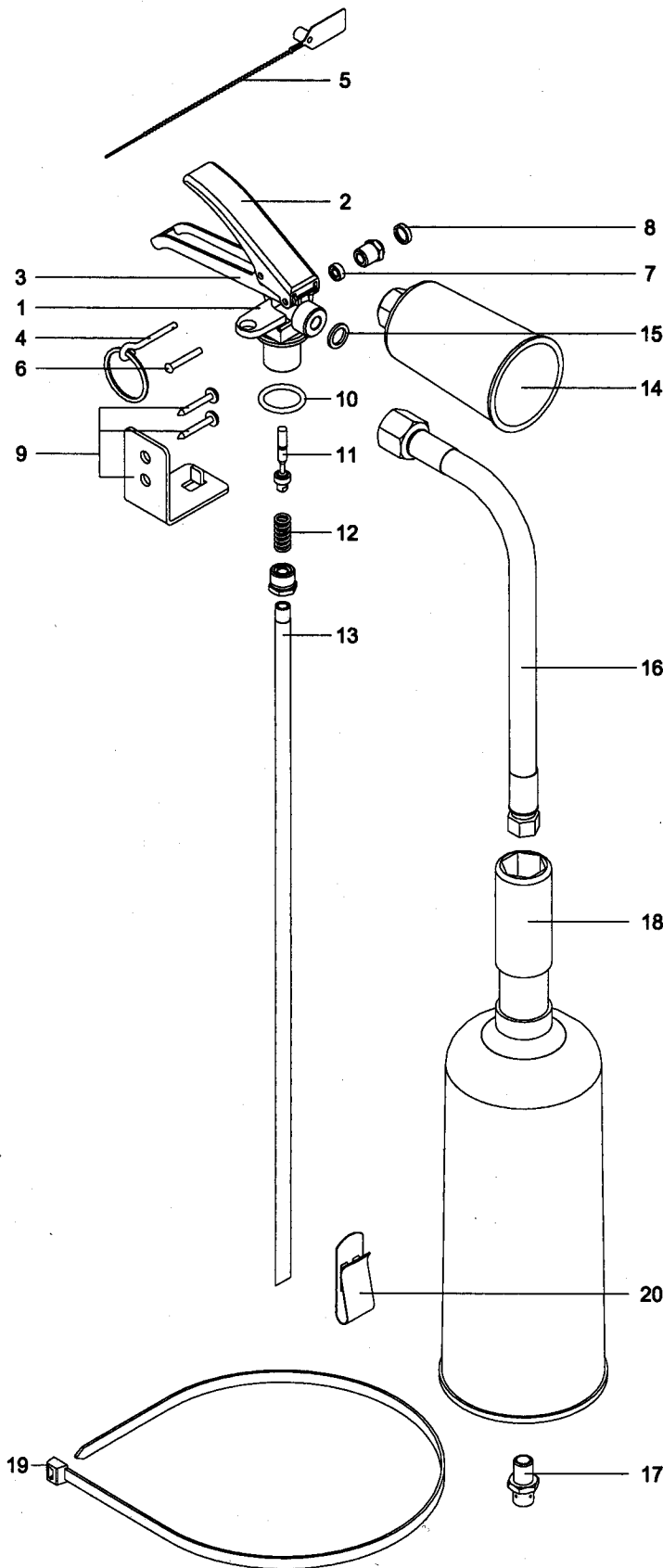


Parts, Service kits & Accessories



Parts		
Fig.	Part No	Part Description
1	03100	Valve Assembly - 2.0, 3.5 & 5.0kg
2	04346	Operating Lever
3	04347	Support Handle
4	03100A	Safety Pin
5	01177	Tamper Seal
6	04348	Rivet
7	03108	Burst Disc
8	03110	Dust Cap
9	02586	Wall Bracket Pack
10	03109	O' Ring - Neck Seal
11	03106	Check Stem Assembly
12	03107	Valve Spring
13	03103	Siphon Tube Blank (requires cutting to size)
14	03102	Horn / Nozzle Assembly - 2.0 kg
15	03105	Fibre Washer
16	03101	Hose Assembly - 3.5 & 5.0 kg
17	03111	Nozzle - 3.5 & 5.0 kg
18	03104	Horn - 3.5 & 5.0 kg
19	04192	Cable Tie - 3.5 & 5.0 kg
20	02960	Horn Clip
N/S	03525	Main Label - 2.0 kg Wormald
N/S	03723	Main Label - 2.0 kg Fireboss
N/S	03720	Main Label - 2.0 kg Firemaster
N/S	03526	Main Label - 3.5 kg Wormald
N/S	03724	Main Label - 3.5 kg Fireboss
N/S	03721	Main Label - 3.5 kg Firemaster
N/S	03527	Main Label - 5.0 kg Wormald
N/S	03725	Main Label - 5.0 kg Fireboss
N/S	03722	Main Label - 5.0 kg Firemaster
Service Kits		
N/S	00781	Valve Kit - contains "Fibre Washer, Check Stem Assembly, Valve Spring, Burst Spring, 'O' Ring for Neck Seal, Dusy Cap".
N/S	00782	Handle Kit - contains "Operating Handle, Support Handle, Rivet"
Accessory Parts		
N/S	03112	Operating Handle - 316 Stainless Steel
N/S	03113	Support Handle - 316 Stainless Steel