

# Parts, Service Kits & Accessories.

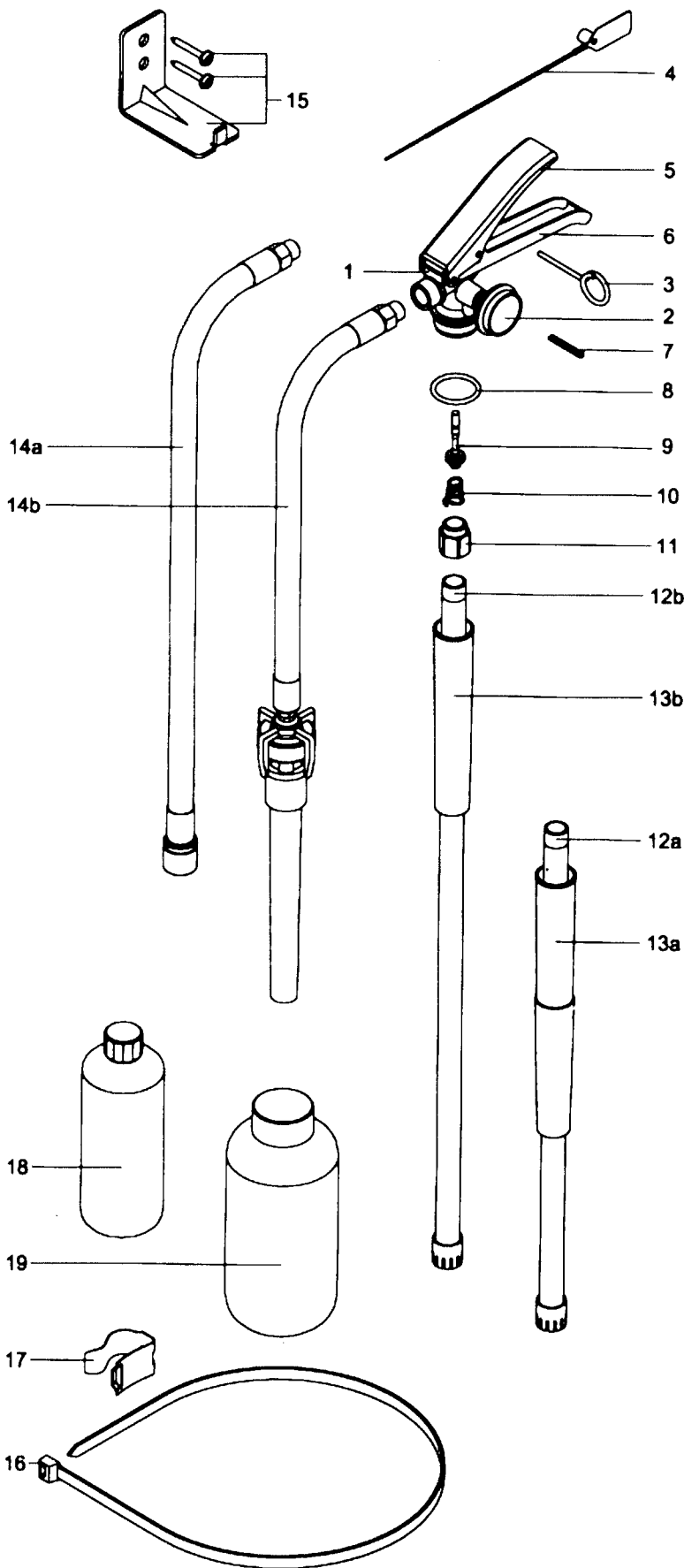


Fig.	Part No	Part Description
1	04158	Valve Assembly c/w Gauge 4.5 & 9.1 ltr
2	04057	Pressure Gauge 1030 kPa - Foam
3	04160	Safety Pin - Stainless Steel
4	01177	Tamper Seal
5	04346	Operating Handle
6	04347	Support Handle
7	04348	Roll Pin
8	04353	'O' Ring - Neck Seal
9	04349	Check Stem Assembly
10	04350	Valve Spring
11	04351	Siphon Tube Nut
12a	04318	Siphon Tube, Drilled - 4.5 ltr
12b	04342	Siphon Tube - 9.1 ltr
13a	04172	Anti Overfill Tube (205.5mm long) - 4.5 ltr
13b	04165	Anti Overfill Tube - 9.1 ltr
14a	04138	Hose Assembly - 4.5 ltr
14b	04027	Hose Assembly - 9.1 ltr
15	04183	Wall Bracket Pack
16	04192	Cable Tie - 9.1 ltr
17	04190	Hose Clip - 9.1 ltr
18	04243	Foam Charge (No. 45) - 4.5 ltr
19	04181	Foam Charge (No. 22) - 9.1 ltr
N/S	03736	Main Label - 4.5 ltr Spray Foam
N/S	03742	Main Label - 9.1 ltr Foam
N/S	03733	Identification Band - 4.5 ltr
N/S	03538	Identification Band - 9.1 ltr

**Service Kits**

N/S	00783	Valve Kit - contains Check Stem Assembly, Valve Spring, Siphon Tube Nut, 'O' Ring - Neck Seal
N/S	00782	Handle Kit - contains Operating Handle, Support Handle, Rivet

**Accessory Parts**

N/S	04152	Recharging Adaptor
N/S	03112	Operating Handle - 316 Stainless Steel
NS	03113	Support Handle - 316 Stainless Steel