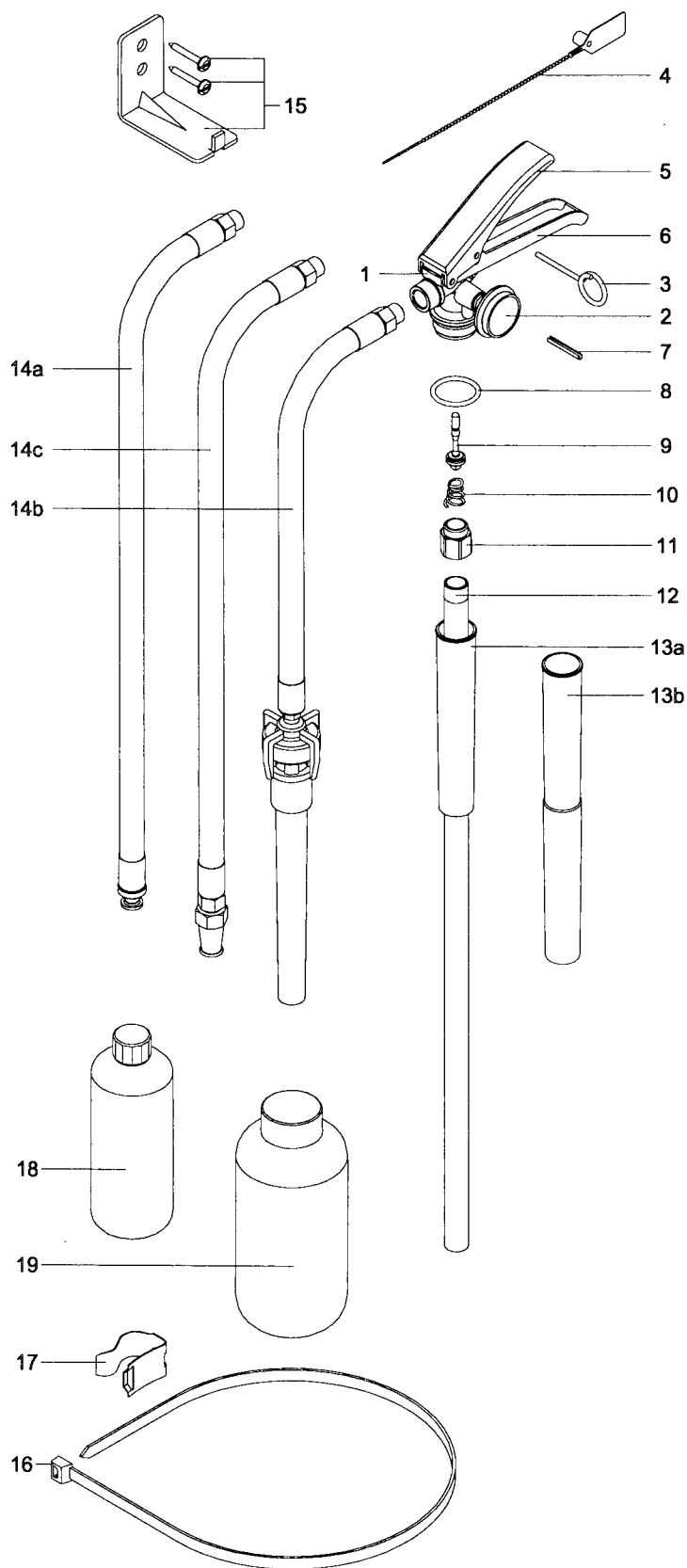


Parts, Service kits & Accessories



Parts		
Fig.	Part No	Part Description
1	04157 04158 04159	Valve Assembly c/w Gauge - Water Valve Assembly c/w Gauge - Foam Valve Assembly c/w Gauge - Wet Chem.
2	04056 04057 04065	Pressure Gauge 620 kPa - Water Pressure Gauge 1030 kPa - Foam Pressure Gauge 690 kPa - Wet Chem.
3	04160	Safety Pin - Stainless Steel
4	01177	Tamper Seal
5	04346	Operating Handle
6	04347	Support Handle
7	04348	Roll Pin
8	04353	O' Ring - Neck Seal
9	04349	Check Stem Assembly
10	04350	Valve Spring
11	04351	Siphon Tube Nut
12	04342	Siphon Tube
13 A B	04165 04167	Anti Overfill Tube - Water / Foam Anti Overfill Tube - Wet Chem.
14 A B C	04022 04027 04189	Hose Assembly - Water Hose Assembly - Foam Hose Assembly - Wet Chem.
15	04183	Wall Bracket Pack
16	04192	Cable Tie - Foam
17	04190	Hose Clip - Foam
18	04107	Corrosion Inhibitor Charge
19	04181	Foam Charge (No. 22)
N/S	04191	Wet Chemical Charge
N/S	03510	Main Label - 9.1ltr Water
N/S	03511	Main Label - 9.1 ltr Water c/w Inhibitor
N/S	03512	Main Label - 9.1 ltr Foam
N/S	03715	Main Label - 7.0 ltr Wet Chemical
N/S	03538	Identification Band - Foam
N/S	03548	Identification Band - Wet Chemical
Service Kits		
N/S	00783	Valve Kit - contains "Check Stem Assembly, Valve Spring, Siphon Tube Nut, 'O' Ring - Neck Seal"
N/S	00782	Handle Kit - contains "Operating Handle, Support Handle, Rivet"
Accessory Parts		
N/S	04152	Recharging Adaptor
N/S	03112	Operating Handle - 316 Stainless Steel
N/S	03113	Support Handle - 316 Stainless Steel
N/S	04102	Hose / Wand Assembly - Wet Chem.